

# Solenoid Operated Control Valves

## Valve Operation

The Water Control diaphragm valve is available as a normally open or normally closed valve, controlled by a 3-way universal solenoid, supplied as a complete assembly. Principle of operation for the two models are:

Normally Closed:
Line pressure is directed through the solenoid to the upper diaphragm chamber, closing the valve. Energizing the solenoid vents the upper diaphragm chamber, causing the valve to open.
Normally Open:
Upper diaphragm chamber remains vented. Energizing the solenoid pressurizes the upper diaphragm chamber, causing the valve to close.

## Operating Specifications

Working Pressure	125 PSI
Maximum Temperature	150°F

## Features and Options

Lowest Pressure Loss	The unique Water Control Y-pattern diaphragm valve design, with large seat opening and high lift disc, permits higher flow rates at lower pressure loss than other comparable valves.
Cost-Effective Design	The Water Control valve is a cost-effective solution. All components can be serviced while the valve is in-line.
Durable	The Water Control valve features cast iron, brass and stainless steel bodies, plus nitrile elastomer components.
Pipe Sizes	3/4-inch through 3-inch threaded (N.P.T.). 1-inch through 6-inch flanged drilled in accordance with ASA16.1 class 125, or BSP4504.
Construction	Available in cast iron, brass and stainless steel bodies.
Optional spring assist Adaptable to wide variety of control devices Optional all stainless internals Optional adjustable flow rate control	

Note: Diaphragms vent a small amount of water when cycling. Water must be directed to suitable drain or receptacle.

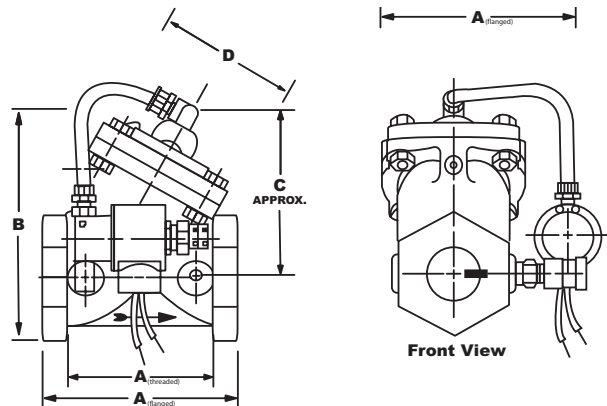


## SPECIFICATIONS

	Pipe Size	Valve Model (Cast Iron body)	Valve Model (Brass body)	Valve Model (Stainless Steel body)	CV Rating	Approximate Dimensions (inches)			
						A	B	C	D
THREADED	3/4"	SV34C	SV34B	-	11.4	3.69	4.25	3.75	2.75
	1"	SV100C	SV100B	SV100SS	12.8	3.69	4.25	3.75	2.75
	1 1/4"	SV114C	SV114B	-	26.5	4.75	5.37	4.0	3.5
	1 1/2"	SV112C	SV112B	SV112SS	32	4.75	5.37	4.0	3.5
	2"	SV200C	SV200B	SV200SS	54	6.62	7.25	5.37	4.87
	2" high flow	SVH200C	SVH200B	-	68	7.37	8.0	5.75	5.5
	2 1/2"	SV250C	SV250B	-	84	7.37	8.0	5.75	5.5
	3"	SV300C	SV300B	-	134	9.0	9.75	6.75	7.25
FLANGED	1	-	-	FSV100SS	13	5.5	4.45	3.36	2.75
	1 1/2"	-	-	FSV112SS	32	6.5	5.0	3.95	3.5
	2"	-	-	FSV200SS	54	8.5	7.28	5.16	4.84
	3"	FSV300C	-	-	134	10.62	10.75	7.0	7.25
	4"	FSV400C	-	-	275	11.75	14.75	10.0	8.75
	6"	FSV600C	-	-	680	17.0	19.0	13.5	15.75

## Current Drain (Amperes)

VALVES AVAILABLE IN:		
Voltage	Inrush	Holding
24V 60Hz	1.1	0.65
120V 60Hz	0.2	0.1
220V 60Hz	0.1	0.07
12 VDC	-	0.6
24 VDC	-	0.3



## Sample Specification

Valve shall be a model # \_\_\_\_\_ diaphragm actuated, solenoid controlled design, as manufactured by Water Control Corporation. Pipe size shall be \_\_\_\_\_ inch (threaded) (flanged). Valve body shall be constructed of (cast Iron) (brass) (stainless steel). Valve shall be provided as (normally open) (normally closed). Electrical shall be (24v - 60hz) (120v - 60hz) (220v - 60hz) (12v DC) (24V DC).

Minimum CV rate across valve shall be \_\_\_\_\_. Valve vent shall be directed to floor drain or suitable receptacle.

Contact Our Technical Support Department at:

Phone: 1-866-405-1268 • Fax: 763-427-5665

Email: [techsupport@watercontrolinc.com](mailto:techsupport@watercontrolinc.com)



Water Control Corporation  
 7150 143rd Ave NW • Ramsey, MN 55303  
 Phone: 1-866-405-1268 • Fax: 763-427-5665  
[www.watercontrolinc.com](http://www.watercontrolinc.com)

0912