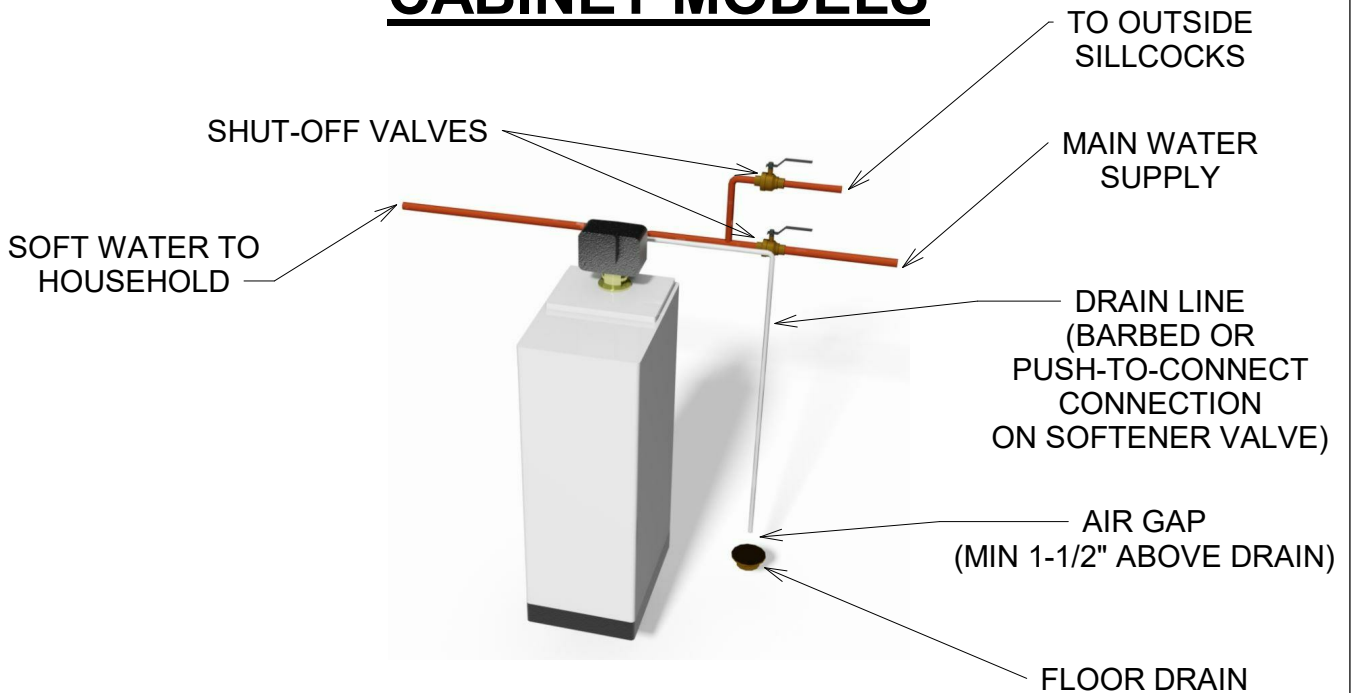
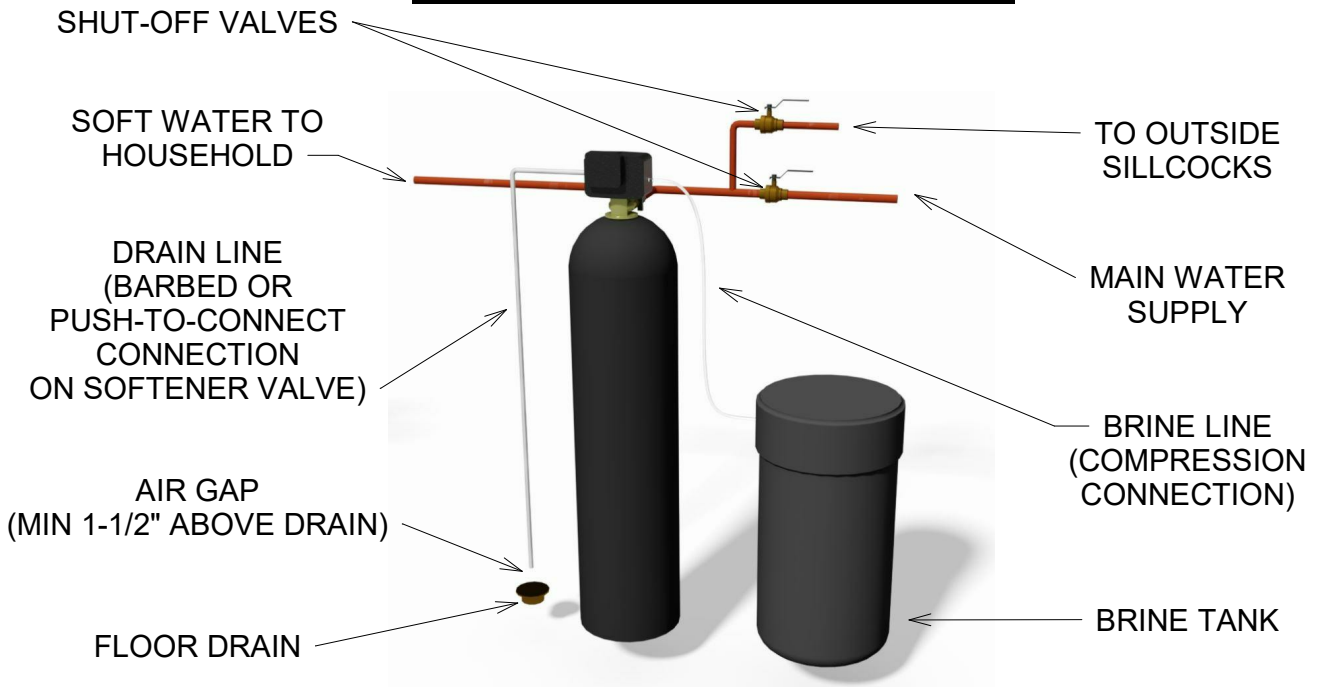


CABINET MODELS



TWO-TANK MODELS



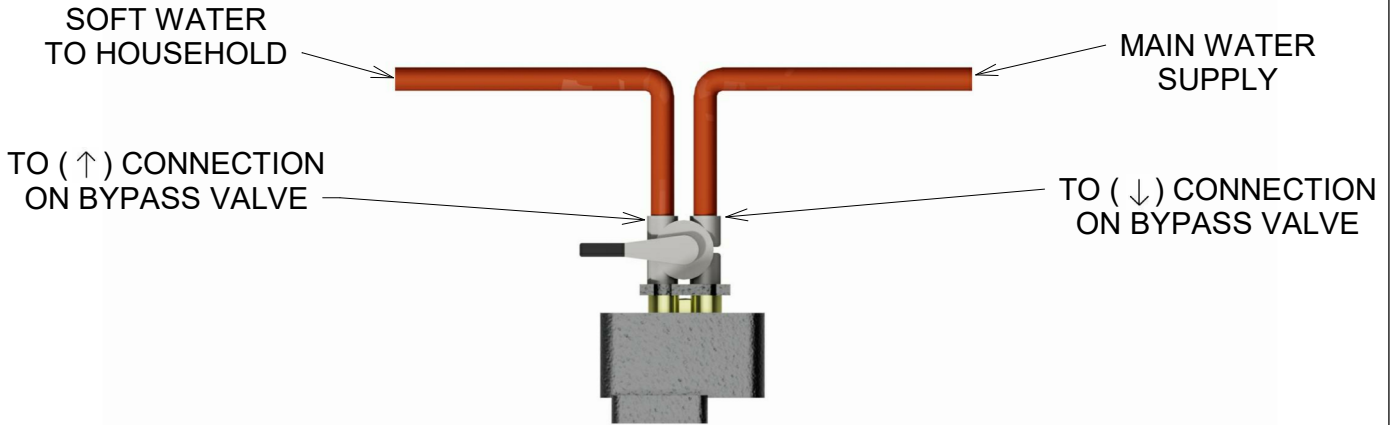
BrassMaster
BrassMaster Plus

Piping Diagram

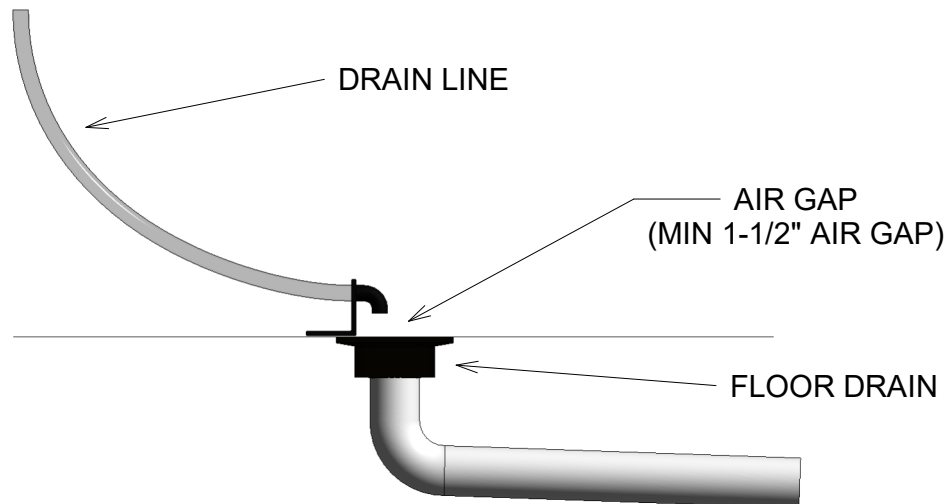
Date 12/28/2021

Drawn by MGS

BYPASS CONNECTION



DRAIN CONNECTION



NOTE:

- 1) SECURE THE DRAIN LINE TO THE FLOOR DRAIN AND MAINTAIN A MINIMUM OF 1-1/2" AIR GAP
- 2) THE SUPPLIED DRAIN LINE MAY NOT MEET LOCAL CODES FOR DRAIN LINE PIPING. VERIFY LOCAL CODES WITH LOCAL CODE OFFICIALS PRIOR TO INSTALLATION



BrassMaster
BrassMaster Plus

Drain & Bypass Connection

Date 12/28/2021

Drawn by MGS