

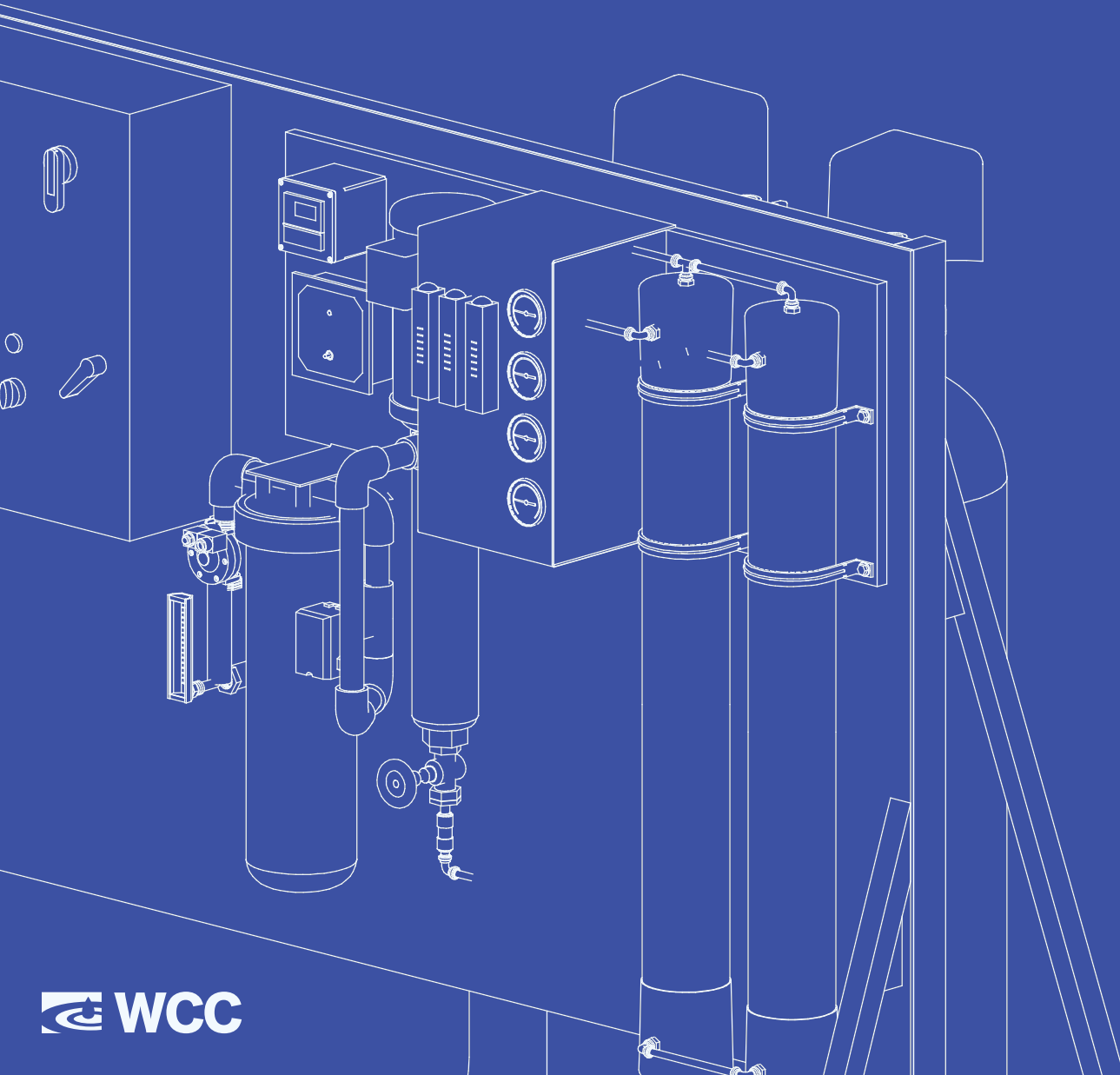
5 CEU CREDITS AVAILABLE

PURE BLUE ACADEMY

WATER TREATMENT TRAINING BY WCC
FOR SPECIFIERS AND SALES ENGINEERS

LIVE TRAINING IN RAMSEY, MN —

2025 CLASSES



UNLOCK THE FUTURE OF WATER TREATMENT

Join us at Pure Blue Academy—a hands-on training event built exclusively for specifiers and sales engineers in partnership with WCC. Whether you're new to water treatment or looking to sharpen your edge, this is where industry leaders get ahead.

- 5 CEU Credits Available
- Hotel, transportation, meals, and entertainment for specifiers are complimentary.
- Live equipment training in WCC's new, state-of-the-art training center in Ramsey, Minnesota.
- Core water treatment fundamentals course for all participants, followed by elective courses that focus on healthcare, general commercial applications, and/or sales engineer training.

WANT TO JOIN?

Talk to your local WCC representative to sign up or learn more!

Find yours at:

[WATERCONTROLINC.COM/
REPRESENTATIVE-LOCATOR](https://watercontrolinc.com/representative-locator)

UPCOMING DATES

SEPT 9–10

OCT 15–16

OCT 28–29

COURSES	FOCUS	HEALTHCARE TRACK	GENERAL TRACK	REP TRACK
COMPANY OVERVIEW	INTRO			
FACILITY TOUR	INTRO			
WATER TREATMENT FUNDAMENTALS	GENERAL			
HIGH-PURITY WATER FOR HEALTHCARE	HEALTHCARE			
COMMERCIAL WATER SOFTENING	GENERAL			
WATER TREATMENT FOR HUMIDIFICATION	GENERAL			
HIGH-PURITY WATER SYSTEMS (ALL APPLICATIONS)	GENERAL			
LEGIONELLA AND PATHOGEN CONTROL	HEALTHCARE			
EQUIPMENT SALES TRAINING FOR REPS	REP			
WATER RECLAIM SYSTEMS	GENERAL			
COMMERCIAL WATER SOFTENING	GENERAL			
EMERGENCY WATER SUPPLIES FOR HEALTHCARE	HEALTHCARE			
EQUIPMENT SALES TRAINING FOR REPS	REP			
WATER RECLAIM SYSTEMS	GENERAL			
RESIDENTIAL WATER TREATMENT	REP			
LEGIONELLA AND PATHOGEN CONTROL	HEALTHCARE			
COMMERCIAL WATER SOFTENING	GENERAL			